

Flexi-Kit

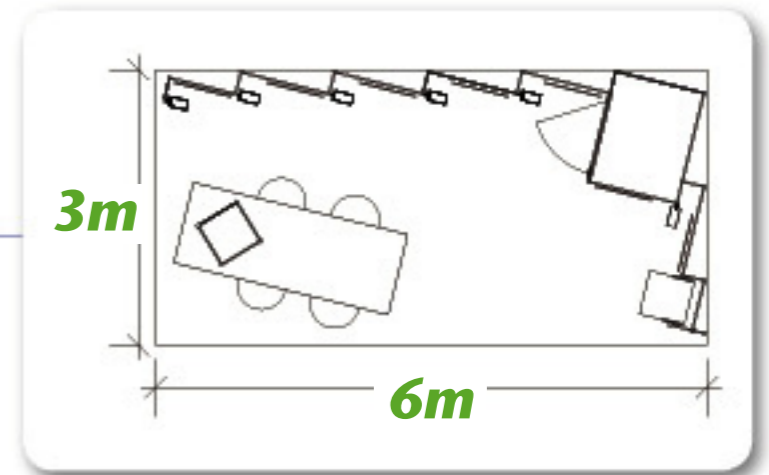
MODULAR EXHIBITION SERVICES

Flexi-Kit Features

1. Highly flexible shapes.
2. Scalable up or down in size.
3. Reusable.
4. Structural system strength.
5. High impact height features.
6. Large graphical presentations.
7. Huge range of graphic display options.
8. Suits all sizes and shapes of stand.
9. Cost effective.

Flexi-Kit Services

1. An exhibition stand brief.
2. Project management.
3. Stand design with 3D visualisation.
4. Clear pricing and budget matching.
5. Hire of the structural elements.
6. Lighting and electrics.
7. Graphic design and production.
8. Eight system options as a guide.
9. Personalised elements.
10. Pre-building of new elements.
11. Installation and dismantle services.
12. Post show storage.



Features of System 5

1. Large area of graphic panels combined with literature dispensers.
2. Illuminated high feature for company name.
3. Large reception surface suitable for small demonstrations.
4. Lots of bright lighting.
5. Small storage area for coats and bags.

Flexi-Kit Options

Flexi-Kit modular exhibition services from Colour Studios, offer a highly flexible opportunity to achieve your exhibiting goals, within budget. Our modular approach is suitable for one off events, or a series of shows, with various stand sizes and orientations. Colour Studios provide all these services from our own purpose built premises supported by our dedicated team and the latest technology. We have developed eight different system options, one of which is shown above, as a guide to Flexi-Kits capability. We can develop a completely new design for you, employ one of our system options or mix and match system features to suit your needs.

For the first step towards a successful exhibition please contact, Clive, Alison or Roger.



colourstudios

Telephone **01761 431300**
E-mail sales@colourstudios.co.uk
Website www.colourstudios.co.uk